

PRODUCT SPECIFICATION

Tx14



Tx14 is an intelligent multipurpose point-source loudspeaker with onboard DSP, power, and networking. Configured and controlled via PK .dynamics software, the Tx Series complements PK Sound's Trinity Range of robotic line source systems to offer a complete solution for a myriad of mobile and installed applications.

In addition to peak SPLs reaching 138.5 dB, Tx14 features controlled 50° x 70° directivity with a frequency response spanning 50 Hz-18 kHz.

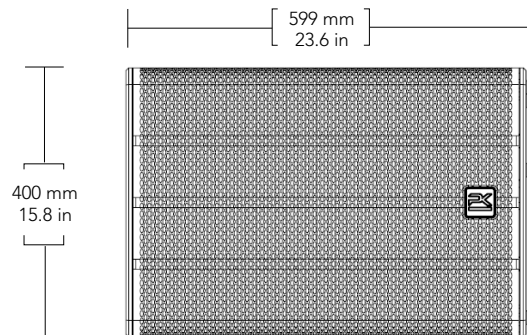
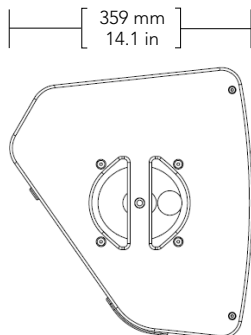
A two-channel VE15 1,400 W Class D amplifier maximizes headroom while maintaining crystal clear audio and exceptional output. A combination of FIR and IIR filters is applied to ensure smooth frequency response throughout the listening area.

Onboard DSP and AVB network end points are routed through the world's first implementation of Neutrik's DR Series of IP65-rated connectors for maximum stability and seamless operation via PK .dynamics. The recessed amplifier cavity ensures that both signal and power connectors are protected during operation.

The size and shape of the Tx14 offer flexibility for weight-critical applications. It can be placed on the ground as a floor monitor, pole mounted via the discreet sockets in each handle, or flown with a wide range of rigging accessories via onboard M10 rigging points, making it suitable for both portable and installed applications.

As a floor monitor, the Tx14 has a natural inclination of 35°, which is easily extended to 55° via the onboard uptilt stands.

The rugged, premium-grade Baltic birch enclosure is finished with an impact-resistant, tour-grade Polyurea coating.



Output Capability

Frequency Response.....50 Hz-18 kHz (± 10 Hz)
Peak SPL.....138.5 dB

Acoustic Properties

Directivity.....50° x 70°

Transducers

Low-Frequency.....1 x 14" Cone
High-Frequency.....1 x 3" Neodymium Diaphragm
Compression Driver

Amplification

Amplifier.....VE15 2-Channel Class D
Amplifier Power.....1,400 W
Operating Voltage.....Auto-Switching 100-240 V, 50/60 Hz
Power Consumption.....220 W
Network.....Proprietary/AVB Ready

Input/Output Connections

Input Selection.....Analog/AES – IP65
Audio/Network.....Balanced XLR/etherCON – IP65
Power.....powerCON TRUE1 – IP65

Physical Properties

Weight.....17.2 kg/38 lb.
(W x H x D).....400 x 599 x 359 mm
25.8 x 23.6 x 14.1 in.
Environmental.....IP42 (front), IP43 (rear)
Module Construction.....Premium-Grade Baltic Birch
Rigging Construction.....6061-T6 Aluminum
Rigging Attachment.....4 x M10
External Coating.....EXL Polyurea
Grill.....Powder Coated Steel
Local Control.....2.4 in. TFT Touch Screen
Gain, Delay, Mute, Preset Selection